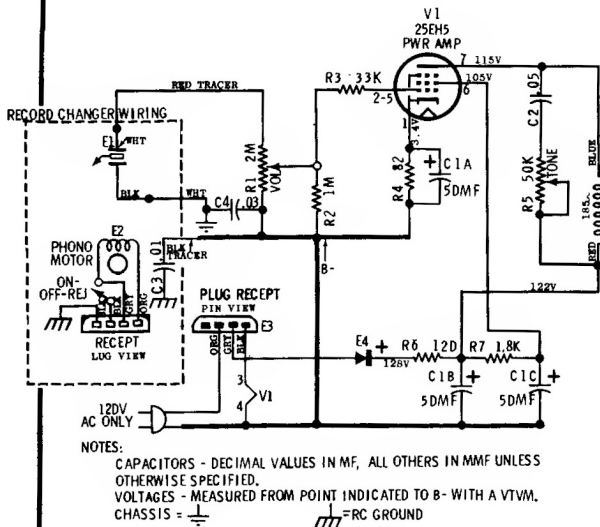


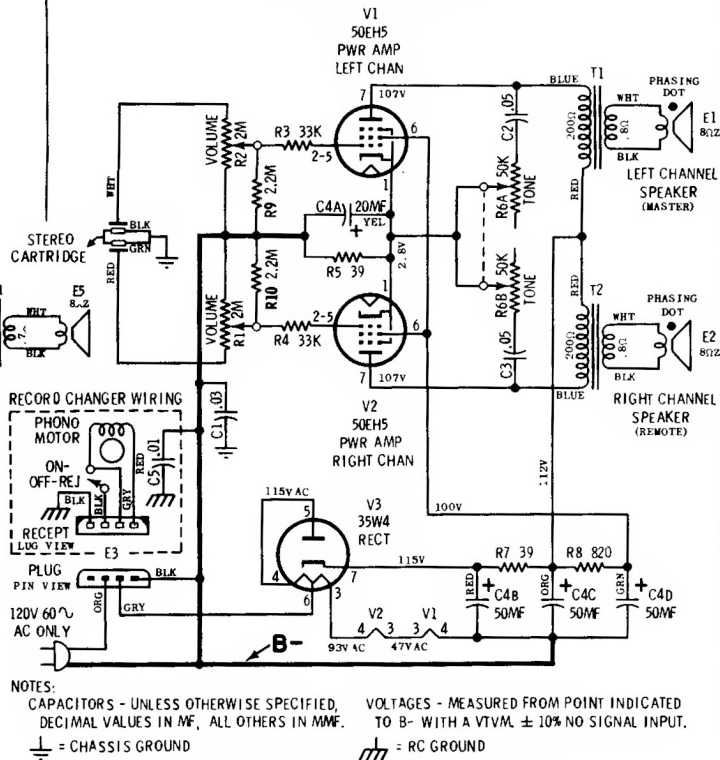
MOTOROLA

Model SP41, Chassis HS-1059



HS-1059 SCHEMATIC DIAGRAM

MOTOROLA Models SP42, SP43, Chassis HS-1061



HS-1061 SCHEMATIC DIAGRAM